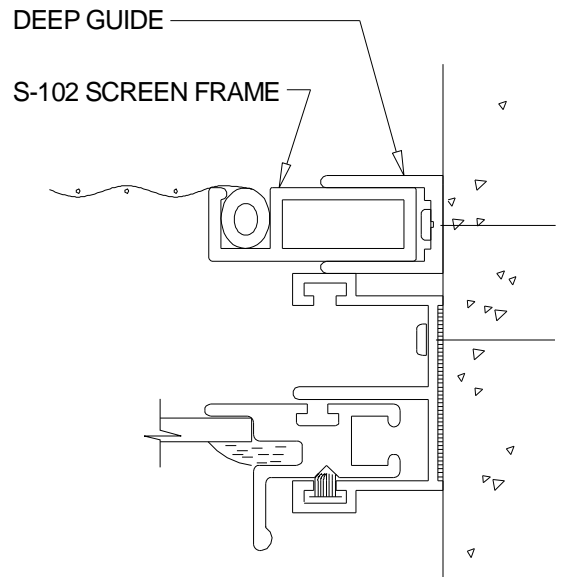
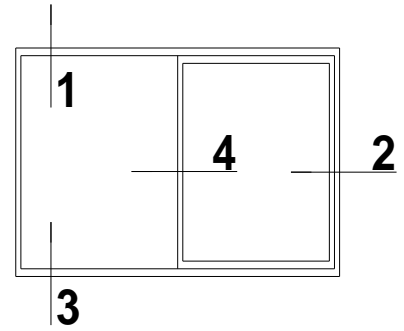
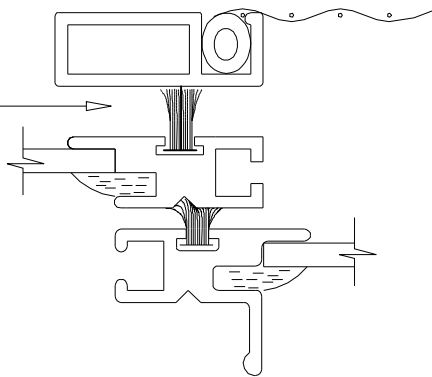


**1 HEAD DETAIL**  
SCALE: FULL



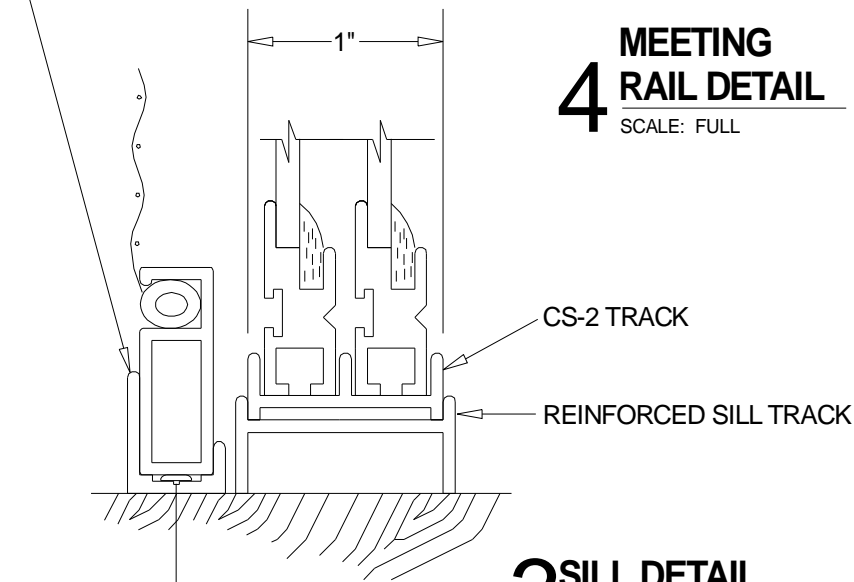
**2 JAMB DETAIL**  
SCALE: FULL

WOOL PILE  
WEATHERSTRIPPING  
WITH MYLAR "FIN SEAL"

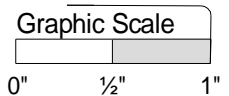


SHALLOW GUIDE

**4 MEETING  
RAIL DETAIL**  
SCALE: FULL



**3 SILL DETAIL**  
SCALE: FULL



PRODUCT  
SLIDE - A - WAY, SAW-2, 1/2 SLIDING SCREEN  
TWO PANELS, EITHER ACTIVE, REINFORCED SILL

DWG. NO.

**S-7** 

**Allied Window**  
Performance Panels®

11111 CANAL ROAD • CINCINNATI, OH 45241 • PH: 800-445-5411, 513-559-1212 • FAX: 513-559-1883 • www.alliedwindow.com • info@alliedwindow.com